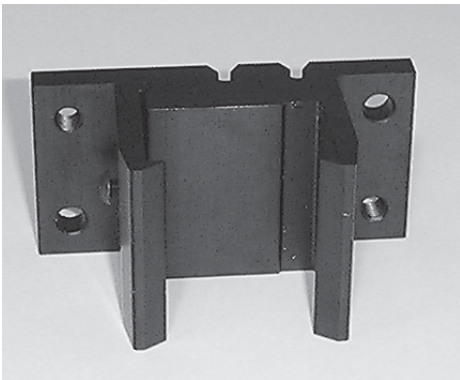


# Adjustable mounting bracket - Type AB

## Information Sheet

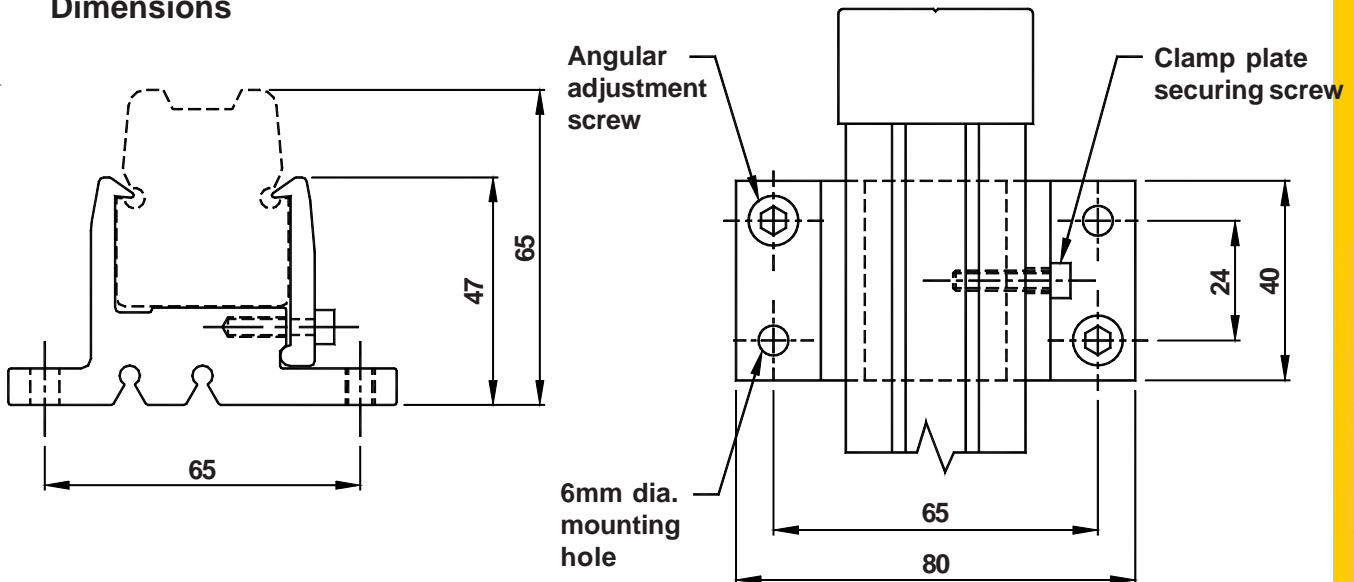


### Features

- Robust construction
- Easily accessible
- Quick release facility
- Standard headed fasteners
- Angular adjustment

The adjustable mounting bracket is now supplied as one of the options with Guardscan B Series light curtains. Combining a robust design with quick release facility, the adjustable bracket promotes speedy installation and also allows for easy interchange of a light curtain unit without the need for re-alignment. To request this option when ordering your light curtain please specify 'AB' in your order code.

### Dimensions



### Technical specification

Material	Extruded aluminium alloy
Finish	Black satin anodised
Dimensions- Length	80mm
Height	40mm
Width	47mm
Clamp plate securing screw*	M4 cap allen screw
Angular adjustment screw**	M6 cap allen screw

\*Requires a 3mm allen key for adjustment

\*\*Requires a 5mm allen key for adjustment

GB-07/01



[www.tapeswitch.co.uk](http://www.tapeswitch.co.uk)

Tapeswitch Ltd

Unit 38 Drumhead Road Chorley North Industrial Park Chorley Lancashire PR6 7BX

Tel: +44 (0)1257 249777 Fax: +44 (0)1257 246600 Email: [info@tapeswitch.co.uk](mailto:info@tapeswitch.co.uk)

GUARDSCAN