

LA-SE laser alignment tool

Information Sheet



Features

- Class II laser diode
- Visual alignment indication
- Simple focusing technique
- Enables accurate alignment
- Automatic activation
- Calibrated laser tool
- Alignment over a long distance

The LA-SE type laser alignment tool is designed to provide a visual indication of the alignment of a Guardscan light curtain system. Comprising a laser pointer and housing unit, the alignment tool is particularly useful for perimeter guarding applications where the distance between the emitter and receiver unit can be up to 30m. The LA-SE laser alignment tool is intended for initial set-up only. It cannot be used during the normal operation of the light curtain.

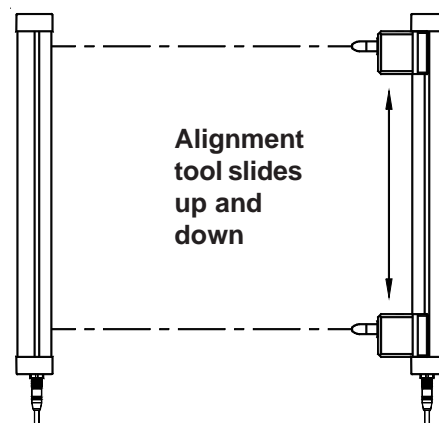
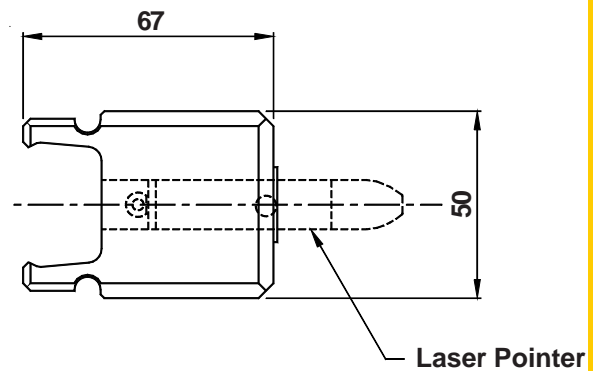
Applications

- Aligning perimeter guards
- Aligning mirrors

Technical specification

Housing Material	Nylon
Laser Type	Class II Laser Diode
Maximum Output	< 1 mW
Wave Length	400 nm - 710 nm
Beam Diameter	Adjustable
Power Requirements	3-LR44 Alkaline Batteries (included)
Operating Time	3 hours (Battery Dependant)
Pointer Dimensions	13mm Diameter x 74mm Length
Weight	76 grams with Batteries
Switch	Momentary On / Off

Dimensions



GB-07/01



www.tapeswitch.co.uk

Tapeswitch Ltd

Unit 38 Drumhead Road Chorley North Industrial Park Chorley Lancashire PR6 7BX

Tel: +44 (0)1257 249777 Fax: +44 (0)1257 246600 Email: info@tapeswitch.co.uk

GUARDSCAN