

SRUM/R muting controller Information Sheet

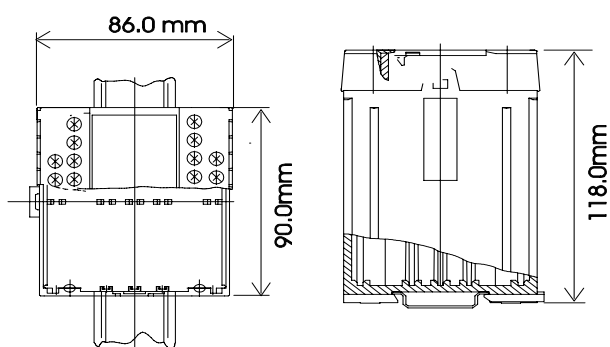


Features

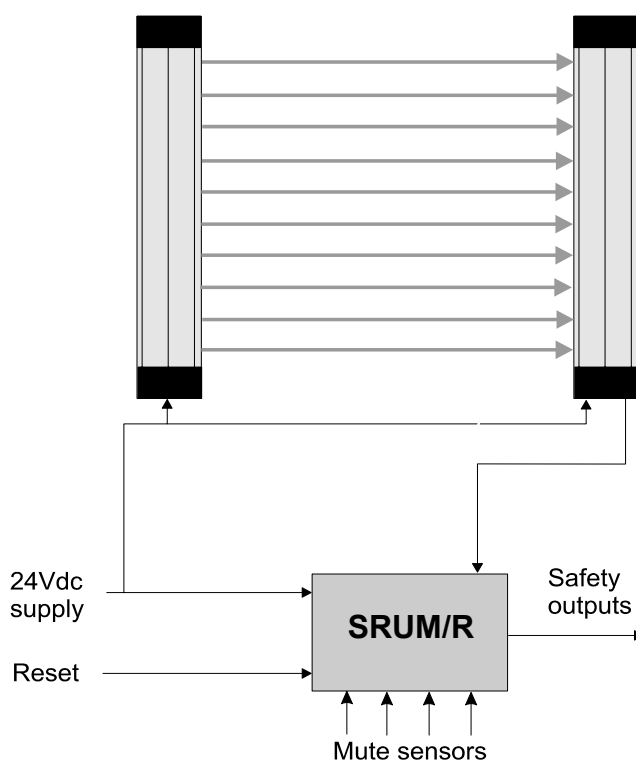
- EN954-1, Category 4
- Range of sensor inputs
- Monitored mute lamp output
- Safety relay outputs
- Monitored start/ restart interlock
- Override keyswitch input
- Detachable terminal strip

The SRUM/R muting controller is designed for use with Guardscan light curtains to provide a fail-safe muting system up to category 4 of EN954-1. This can safely inhibit the operation of the curtain to allow material to be automatically loaded and unloaded.

The system discriminates between the material and a person by using four mute sensors. The unit can accept volt-free contacts, NPN or PNP outputs from the mute sensors. The unit contains a drive circuit for an external "Mute" indication. This lamp is monitored so that, if it does not light, the system will not go into a muted condition.



Operating Voltage	24Vdc +/- 10%
Power Consumption	up to 20VA
Safety Outputs	3 x N/O Safety relay outputs
Switching Current	3.5A max
Operating Temperature	-25°C to +55°C
Terminal/Housing Style	DIN 40050 (Terminal IP20) (Housing IP40)
Mute Sensor supply current	0.5A max. in total
Input Current	Approx 15mA for all inputs
Response Time	<20mS (from light curtain input)
Muting Time	10min max. using override, infinite in normal operation



GB 03/07



www.tapeswitch.co.uk

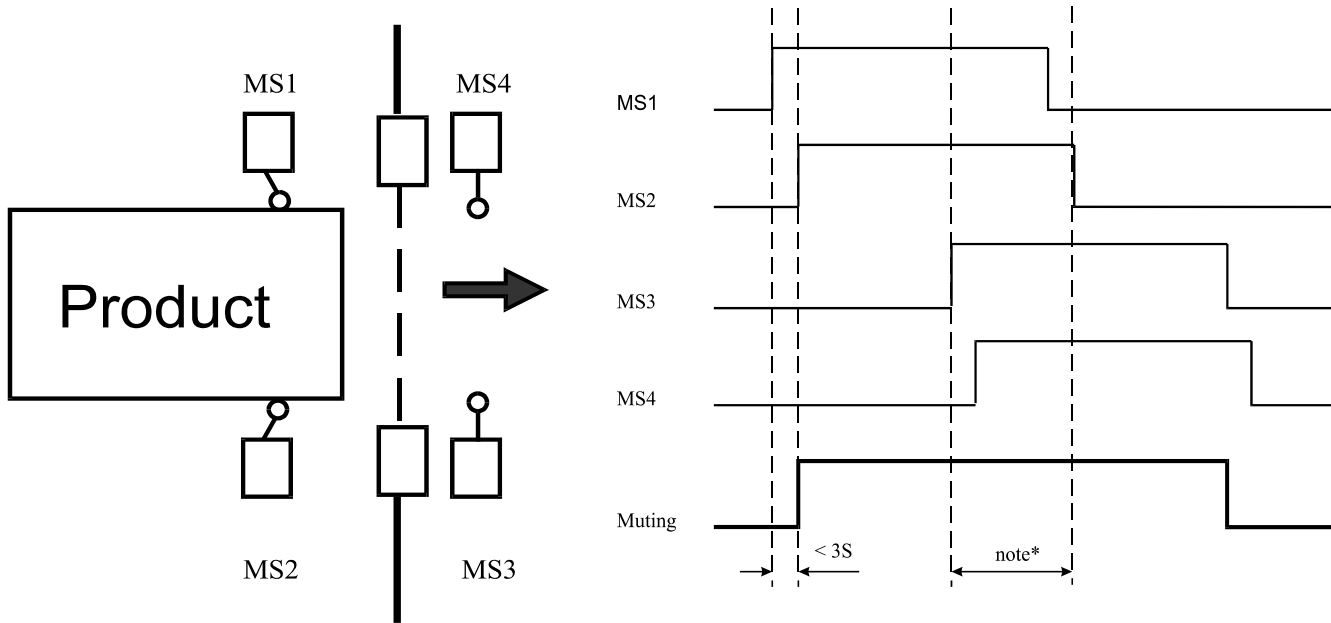
Tapeswitch Ltd

Unit 38 Drumhead Road Chorley North Industrial Park Chorley Lancashire PR6 7BX

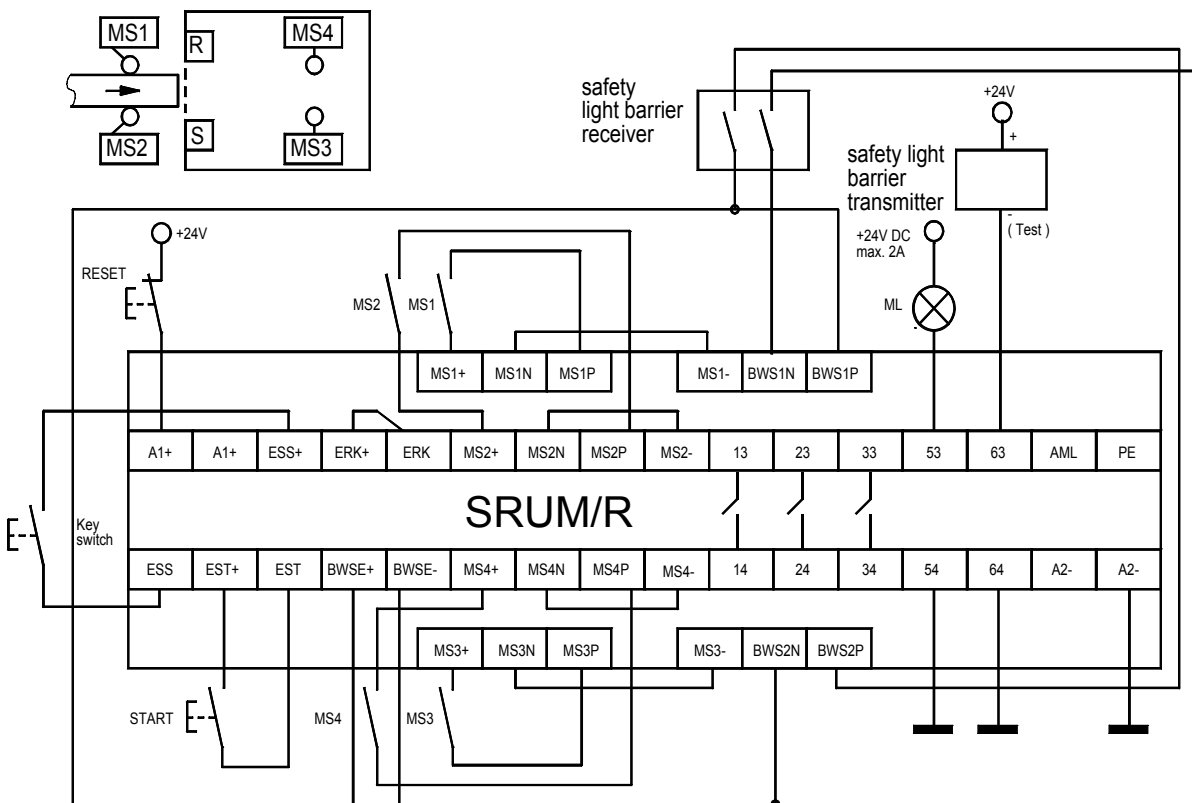
Tel: +44 (0)1257 249777 Fax: +44 (0)1257 246600 Email: info@tapeswitch.co.uk

GUARDSCAN

The following shows micro-switches as mute sensors. Photoelectric or inductive sensors could also be used. Please consult your Guardscan distributor for advice about appropriate types. Muting begins as MS1 and MS2 are operated and ends as the product passes MS3 and MS4. The muting cycle is as follows:



Note*: There must be an overlap where all 4 sensors are operated.



www.tapeswitch.co.uk

Tapeswitch Ltd

Unit 38 Drumhead Road Chorley North Industrial Park Chorley Lancashire PR6 7BX

Tel: +44 (0)1257 249777 Fax: +44 (0)1257 246600 Email: info@tapeswitch.co.uk

GUARDSCAN