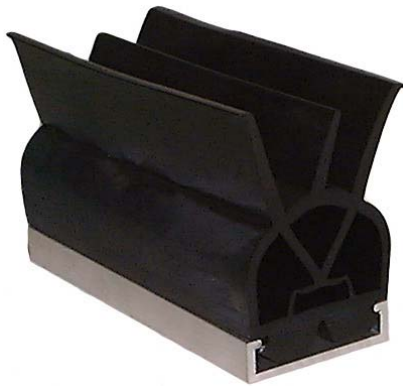


## KS2002 Sensing Edge



### Features

- Custom configurations
- Aluminium mounting channel
- Immediate activation
- Easy installation
- Fail-safe wiring available
- Durable construction
- Sealed switch compartment

KS2002 is a durable sensing edge which is suitable for range of personnel safety applications. It is typically used on the edges of high-speed powered doors, and the fins on the profile provide a seal when the door is closed. It is available in custom configurations up to 5m in one continuous length. Longer lengths consist of a single continuous ribbon switch with several sections of housing and channel. The exterior housing snaps easily into aluminium mounting channel making it ideal for installations where space is restricted.

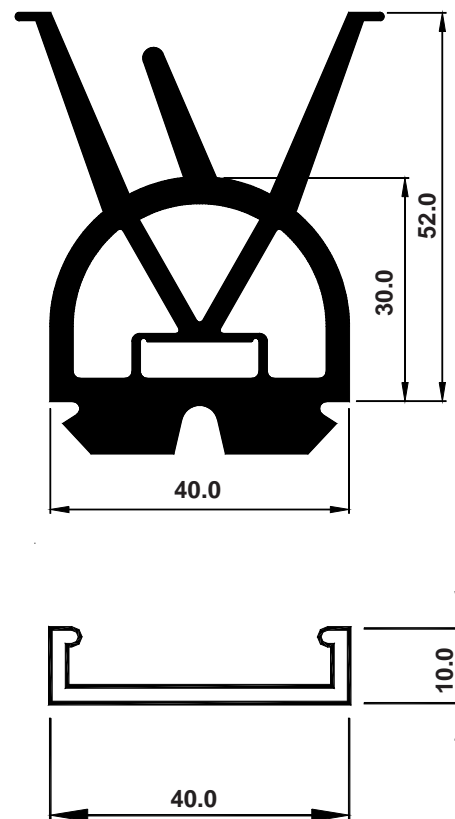
### Typical Applications

- High-speed doors
- Transport doors
- Powered doors

### Technical Specification

Actuating force (80mmØ test piece)	<180N (18.0kg)
Overtravel movement to 250N	15mm
Actuating distance (80mmØ test piece)	2mm
Housing material	EPDM
Housing colour	Black
Ingress protection	IP65
Operating temperature	-20°C to + 50°C
Typical weight	1250g/m
Recommended max voltage	30V d.c.
Switching current @ 30Vdc	1A

### Dimensions Scale 1:1



GB-02/07

## Tapeswitch Ltd

Unit 38 Drumhead Road Chorley North Industrial Park Chorley Lancashire England PR6 7BX  
 Tel Int +44 01257 249777 Fax Int +44 01257 246600 E-mail info@tapeswitch.co.uk Website www.tapeswitch.co.uk