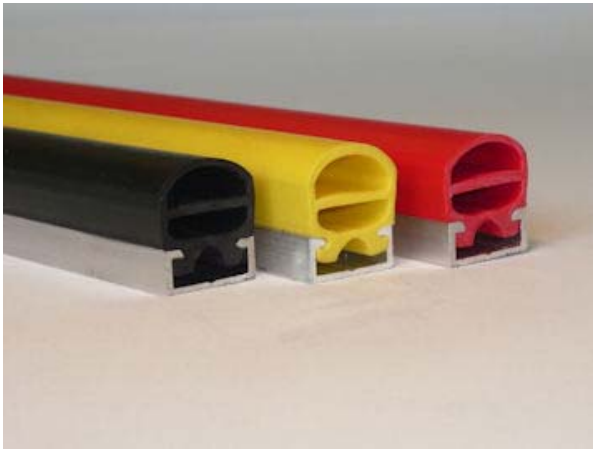


TS16S Sensing Edge



Features

- Custom configurations
- Choice of colours
- Variety of mounting options
- Immediate activation
- Easy installation
- Fail-safe wiring available
- Durable construction
- Sealed switch compartment
- End caps available

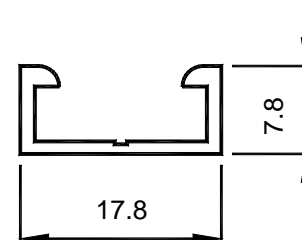
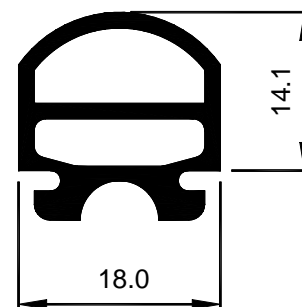
TS16S is a small, easily installed sensing edge which is ideal for both control and safety based applications. The small profile and snap-in channel make it suitable for installations where space is restricted. The integral Tapeswitch is mounted in the upper compartment of the PVC housing to give immediate activation and allow for some over travel.

TS16S is one of the most versatile edges in the Tapeswitch range and can be bent around smoothly curved corners when mounted in plastic channel. The tough, extruded polymer housing is available in a choice of colours and can be supplied with end caps fitted to provide a dust-proof seal.

Typical Applications:

- Remote TV cameras
- Moving storage systems
- Robot positioning sensors
- Lift doors
- Stair lifts

Dimensions



Technical specification

Actuating force (80mm Ø test piece)	<120N (12kg)
Overtravel movement to 250N	2mm
Actuating distance (80mm Ø test piece)	Approx. 3.5mm
Housing material	PVC
Housing colour	Black, red or yellow
Channel material	Aluminium or plastic
Ingress protection	IP65
Operating temperature	-20°C to +50°C
Typical weight	350g/m
Recommended maximum voltage	30Vdc
Switch current @ 30Vdc	1A

GB-11/10