

TS46D Sensing Edge

Features



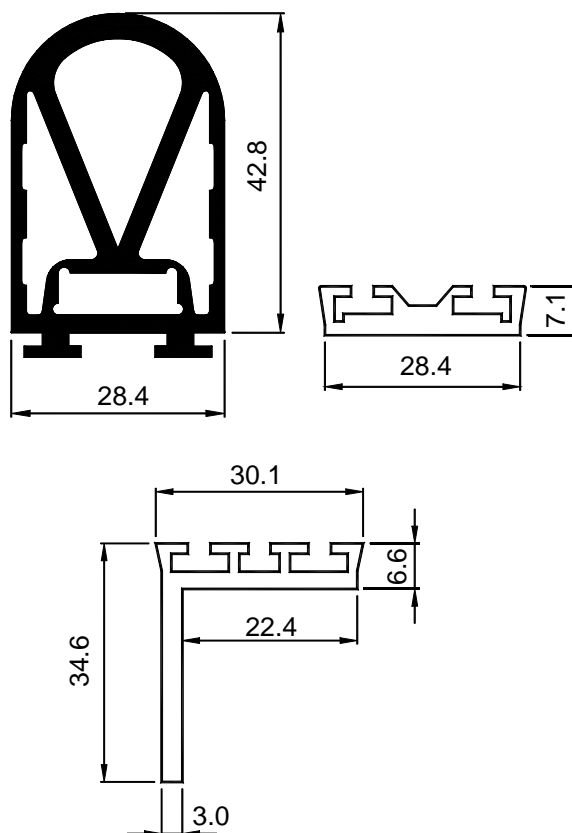
- Custom configurations
- Choice of colours
- Variety of mounting options
- Immediate activation
- Easy installation
- Fail-safe wiring available
- Durable construction
- Sealed switch compartment
- BIA approved

TS46D is a durable sensing edge that responds to both head-on and side impact making it ideal for a wide range of personnel safety applications. It is available in a choice of popular colours and can be supplied flat or angled channel to suit and mounting arrangement. TS46D can be supplied in custom configurations to provide increased flexibility.

Typical Applications:

- Lift tables
- Cargo loading vehicles
- Public transport doors
- Machinery doors
- Powered gates

Dimensions



Technical specification

Actuating force (80mm Ø test piece)	<140N (14.0kg)
Overtravel movement to 250N	21mm
Actuating distance (80mm Ø test piece)	Approx. 7mm
Housing material	TPE
Housing colour	Black, red or yellow
Channel material	Flat-aluminium or plastic Angled-aluminium
Ingress protection	IP65
Operating temperature	-20°C to +50°C
Typical weight	1100g/m
Recommended max voltage	30Vdc
Switching current @ 30Vdc	1A

GB 12/10