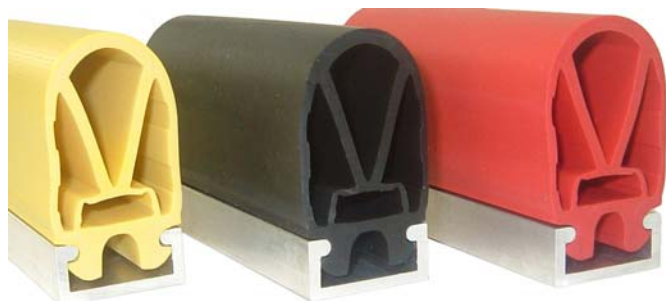


TS48 Sensing Edge



Features

- Custom configurations
- Choice of colours
- Variety of mounting options
- Immediate activation
- Easy installation
- Fail-safe wiring available
- Durable construction
- Sealed switch compartment

TS48 is an extremely robust sensing edge that responds to both head-on and side activation making it ideal for a range of personnel safety applications. The edge benefits from having a snap-in mounting channel which makes it particularly suited to places where space is restricted. TS48 is available in a range of popular colours and can be supplied with flat or angled mounting channel to suit the application. Like all Tapeswitch sensing edges, TS48 uses a reliable ribbon switch operating principle and can be supplied with fail-safe wiring.

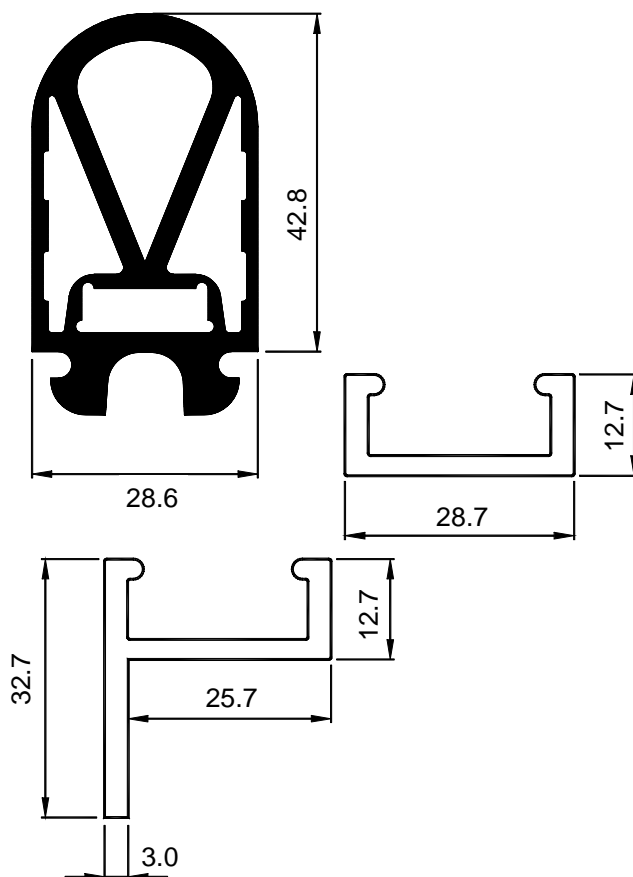
Typical Applications:

- Power operated doors and gates
- Lift tables and platforms
- Machinery doors
- Cargo loading vehicles
- Moving partitions

Technical Specification

Actuating force (80mm \varnothing test piece)	<120N (12.0kg)
Overtravel movement to 250N	21mm
Actuating distance (80mm \varnothing test piece)	Approx 7mm
Housing material	TPE
Housing colour	Black or yellow
Channel material	Flat-aluminium or plastic Angled-aluminium
Ingress protection	IP65
Operating temperature	-20 $^{\circ}$ c to +50 $^{\circ}$ c
Typical weight	1100g/m
Recommended maximum voltage	30V d.c.
Switching current @ 30Vdc	1A

Dimensions



GB 12/10