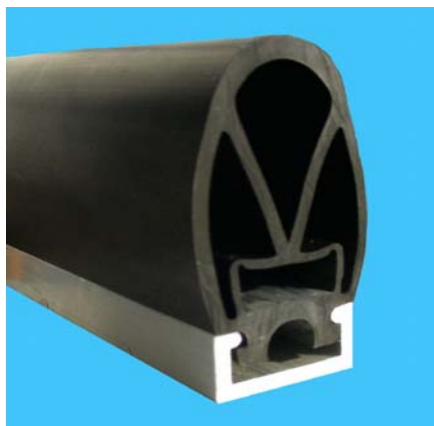


TS28 Sensing Edge Information Sheet



Features

- Custom Configurations
- Variety of mounting options
- Durable construction
- Easy Installation
- Sealed switch compartment
- Fail-safe wiring available
- Immediate activation

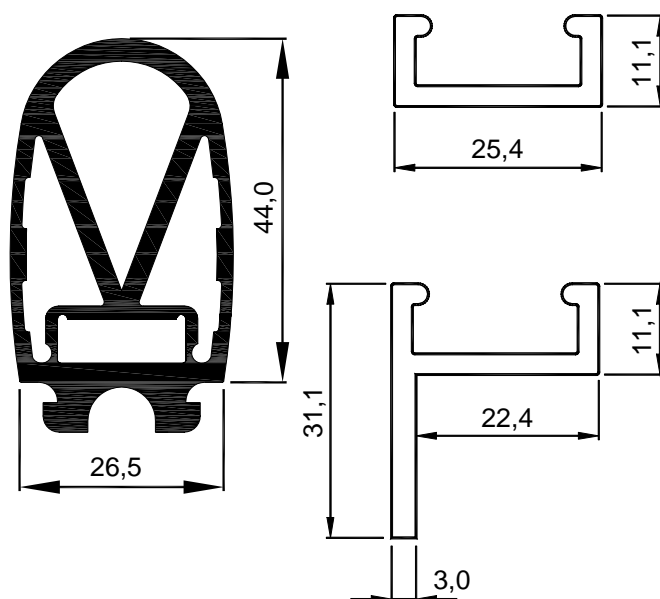
TS28 is an extremely robust sensing edge that responds to both head-on and side activation, making it ideal for a range of personnel safety applications. The edge benefits from having a snap-in mounting channel which makes it particularly suited to installations where space is restricted. TS28 can be supplied with flat or angled aluminium mounting channel as well as the flat plastic channel.

Like all Tapeswitch sensing edges, TS28 uses a reliable ribbon switch operation principle and can be supplied with fail-safe wiring.

Typical Applications:

- Moving partitions
- Side bumpers on AGV's
- Lift doors
- Stage lifts
- Moving doors

Dimensions



Technical Specification

Actuating force (80mmØ test piece)	<60N (6.0 kg)
Over-travel movement to 250N	27mm
Actuating distance (80mmØ test piece)	7mm
Housing material	EPDM
Housing colour	Black
Ingress protection	IP65
Operating temperature	-20°C to + 50°C
Typical weight	1100g / m
Recommended maximum voltage	30Vdc
Switching current max. @ 30Vdc	1A

GB 03/10

Tapeswitch Ltd

Unit 38 Drumhead Road Chorley North Industrial Park Lancashire England PR6 7BX

Tel: Int +44 (0) 1257 249777 Fax: Int +44 (0) 1257 246600 E-Mail: info@tapeswitch.co.uk