

## AE-13 Mat Edging

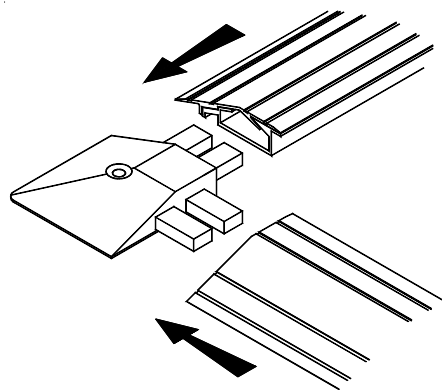


### Features

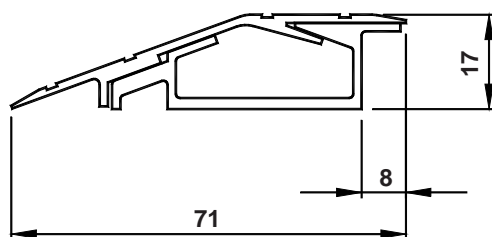
- Fixes mat in position
- Hides & protects cables
- Helps prevent trip hazards
- Choice of aluminium or ABS corner pieces
- Quick & easy installation
- Supplied as a custom built kit or a DIY kit

Tapeswitch AE-13 aluminium mat edging is used to fix safety mats in position. This specially designed edging comprises two parts; a base and a cover. The cover provides a 20 degree ramp to help prevent trip hazards at the outer sensor edges. The base can accommodate sensor wiring, protecting the cables from damage and acting as a conduit to route the cables to the control box. AE-C corner pieces have been designed to provide quick and easy installation of the AE-13 mat edging. The corner pieces can be **supplied in aluminium or in ABS**. AE-13 mat edging is either supplied as a custom kit fitted to a specific mat or as individual lengths for DIY assembly on-site.

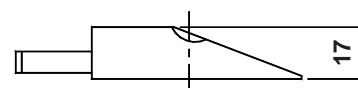
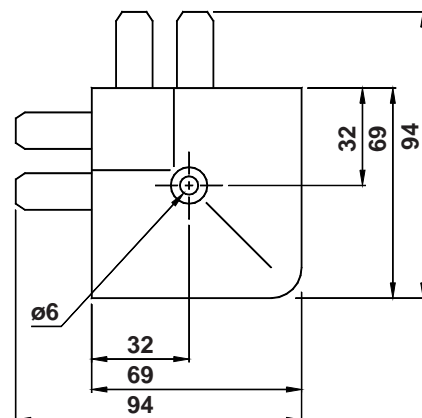
### Dimensions



AE-13



AE-C



GB-12/04

## Tapeswitch Ltd

Unit 38 Drumhead Road Chorley North Industrial Park Chorley Lancashire England PR6 7BX  
 Tel Int +44 01257 249777 Fax Int +44 01257 246600 E-mail info@tapeswitch.co.uk Website www.tapeswitch.co.uk